



BEM 200.

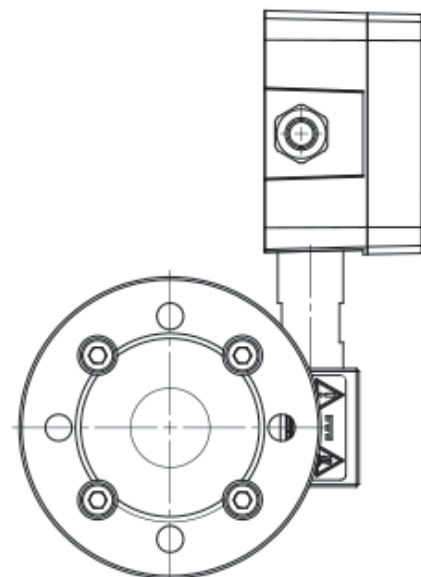
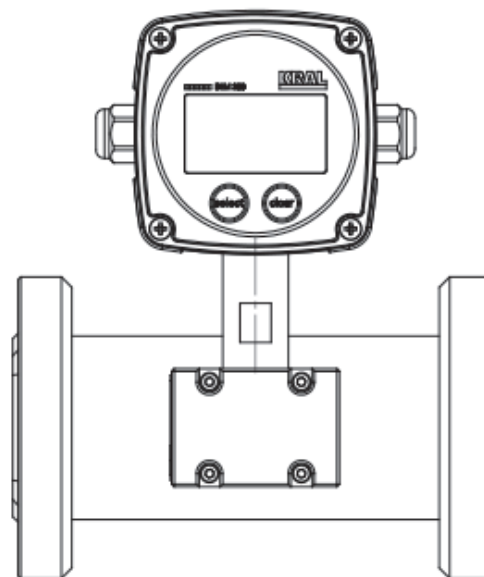
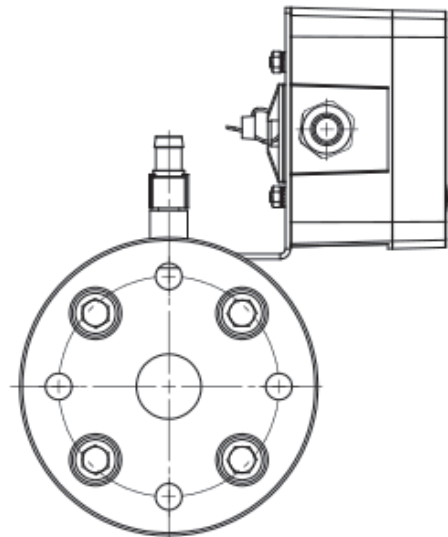
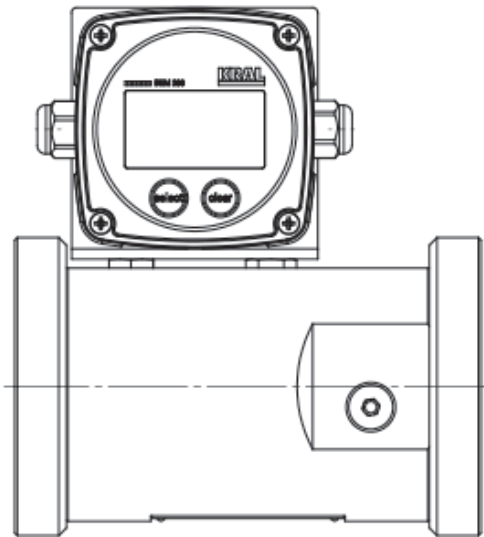
The display electronics from KRAL.

NEW
now
with
Analog Output
4-20 mA

Flow Measurement

BEM 200 with Flowmeter.

Connection to flowmeter series OMP and OME.



The KRAL Display Electronics.

Simple display of the flow rate and total.



Display information.

The unit has a transfective LCD with several symbols and digits to display measuring units, status information and key-word messages.

A backup of the total and accumulated total is made in the EEPROM memory.

Functions and features.

The display electronic BEM 200 is a microprocessor-operated device for displaying the values of flow rate, total and accumulated total.

The output of the accumulated total value is made possible by a scalable pulse output.

- Local mounting on OME/OMP series.
- Simple handling.
- Displaying of single-line measurements.
- Good readability.

Configuration of the unit.

The BEM 200 has been designed to be implemented in many types of applications. For that reason, a SETUP-level is available to configure the BEM 200 according to your specific requirements. It includes several important features, such as K-factor, measurement units, etc.

All settings are stored in memory and will not be lost in the event of a power failure.

Compact Construction.

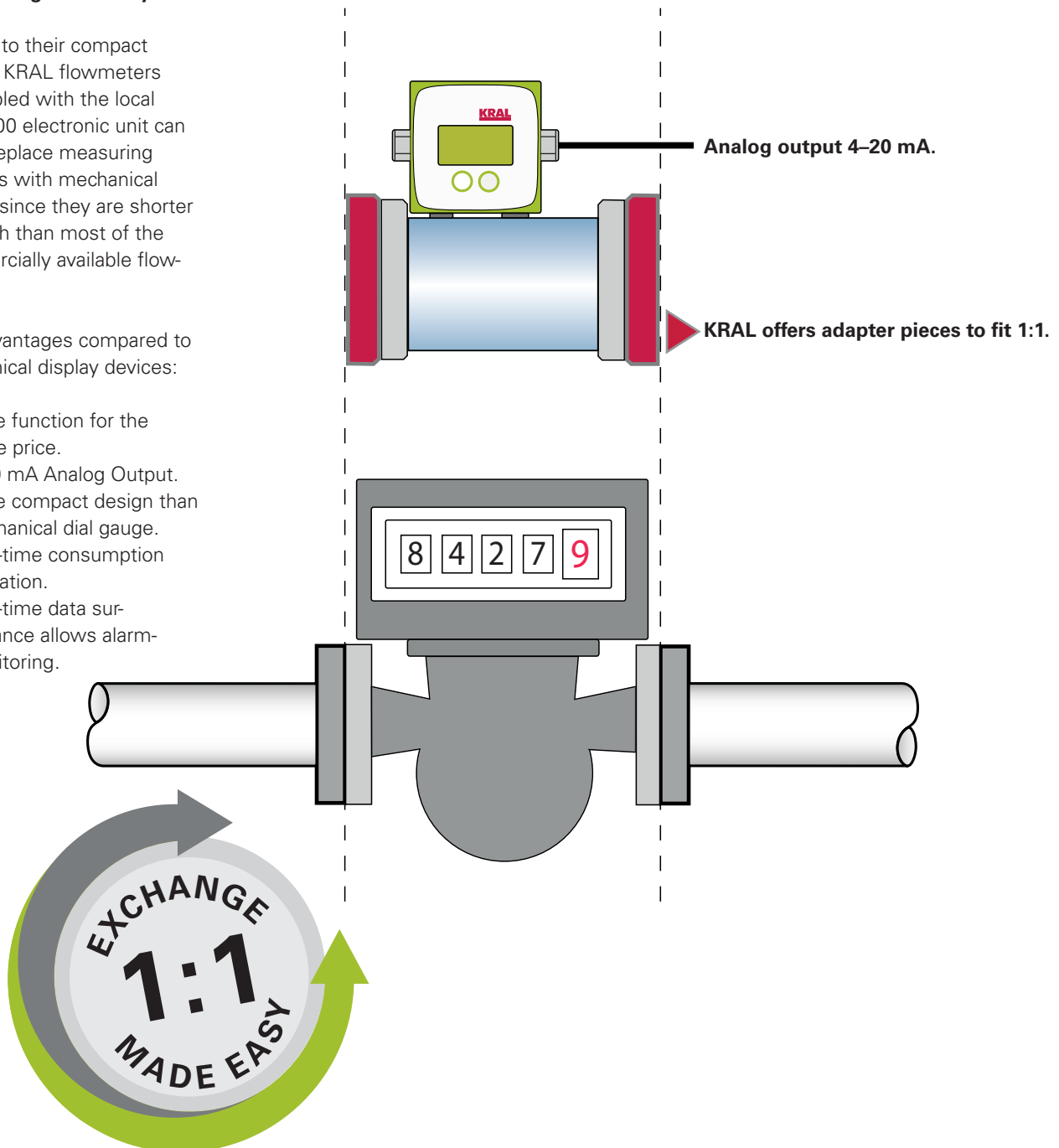
The BEM 200 of KRAL provides an electrical analog output and a much more compact design than mechanical display devices.

Retrofitting made easy.

Thanks to their compact design, KRAL flowmeters assembled with the local BEM 200 electronic unit can easily replace measuring systems with mechanical display since they are shorter in length than most of the commercially available flowmeters.

The advantages compared to mechanical display devices:

- More function for the same price.
- 4–20 mA Analog Output.
- More compact design than mechanical dial gauge.
- Real-time consumption indication.
- Real-time data surveillance allows alarm-monitoring.



Performance Characteristics.

Technical data of the BEM 200.

Technical data.	
Description:	One-channel type. Display rate, total, accumulated total. Pulse output.
Power supply:	10–30 V DC.
Environment:	Operating temperature –20 to 70 °C. Storage temperature –20 to 80 °C.
Housing:	Mounting: Mounting on flowmeter, wall mounting. Dimensions: 93x93x60 mm. Degree of protection: IP65. Material: Plastic. Mass: 0.25 kg.
Sensor:	Sensor type: PNP, Push–pull. Sensor supply: 10–30 V DC. Frequency: 6 kHz.
Operation and electronics:	Display: LCD (UV-resistant), 2 lines, 7 characters, different symbols and units. Keyboard: Micro-switch keys (UV-resistant keypad).
Pulse output:	Frequency maximum: 1 output with 100 Hz.
NEW – Analog output:	4–20 mA.

