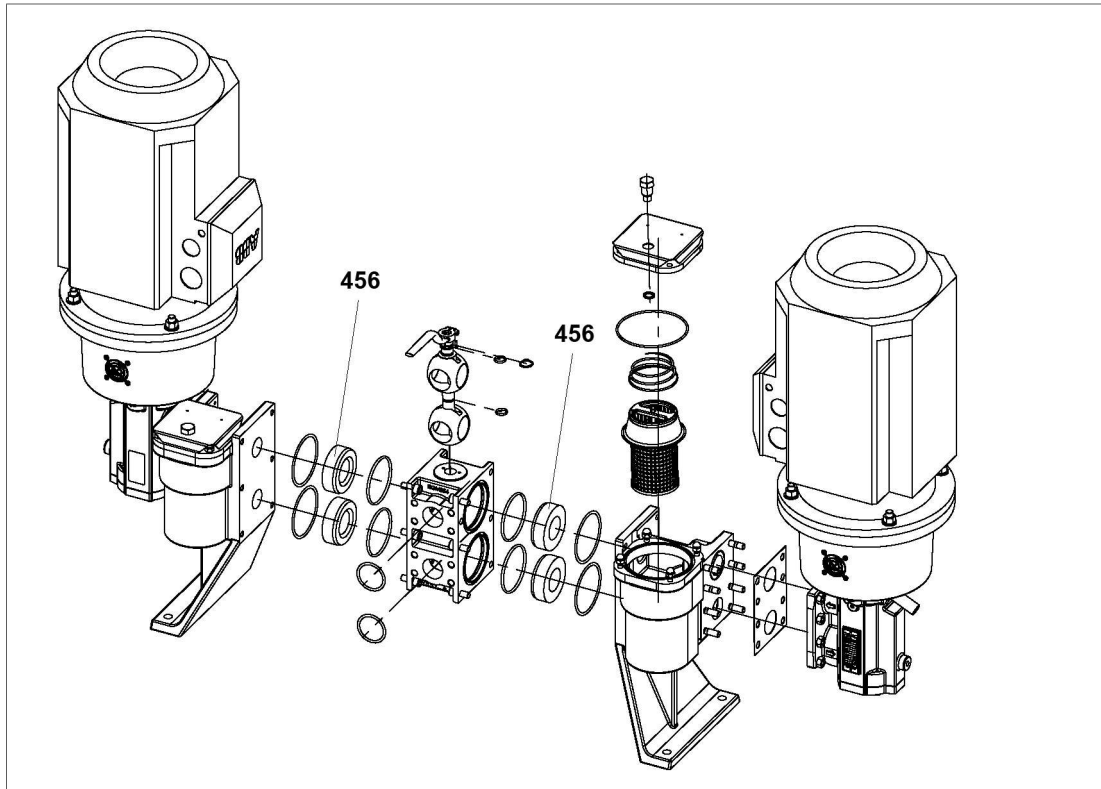
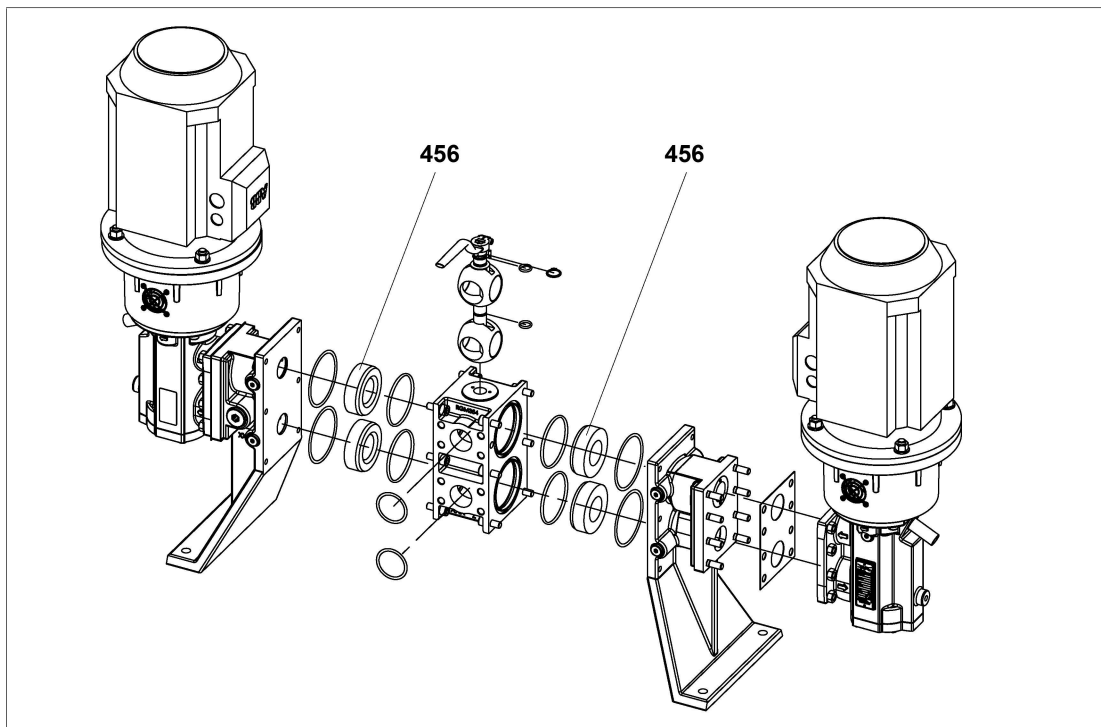


Molded gasket kit

DALP-S (ALP-0015 – 0085)



DALP-C (ALP-0015 – 0085)



Notice: Separate maintenance kit for the station is absolutely necessary for mounting!

Notice: Only the numbered parts are included in the molded gasket kit. Before installation read and observe the operating instructions of the pump/station.

Qty.	Pos. no.	Part
4	456	Molded gasket