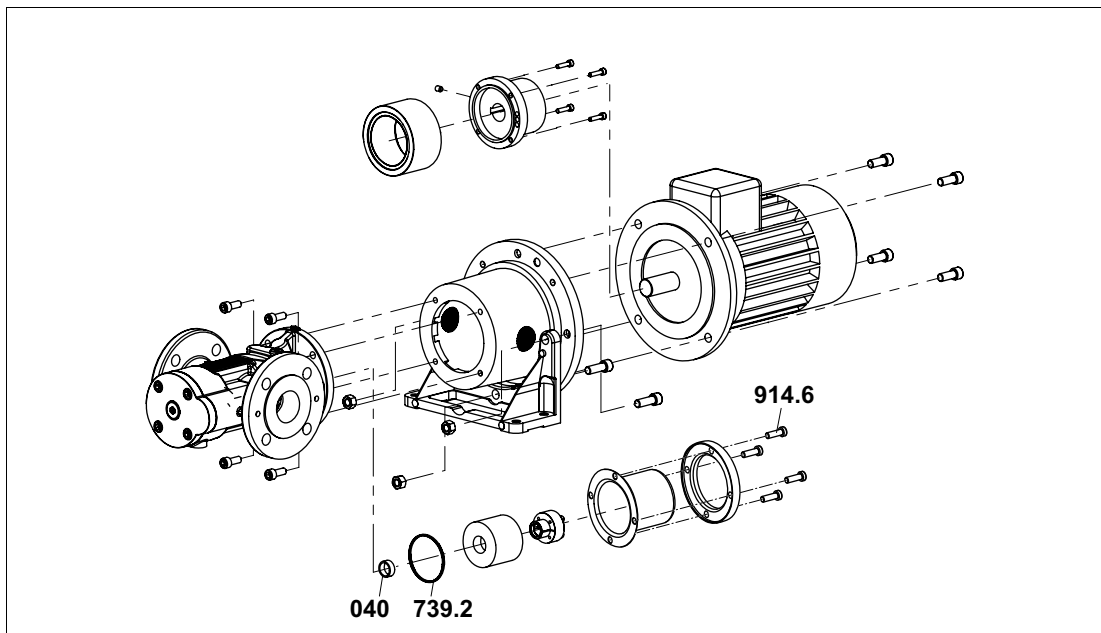
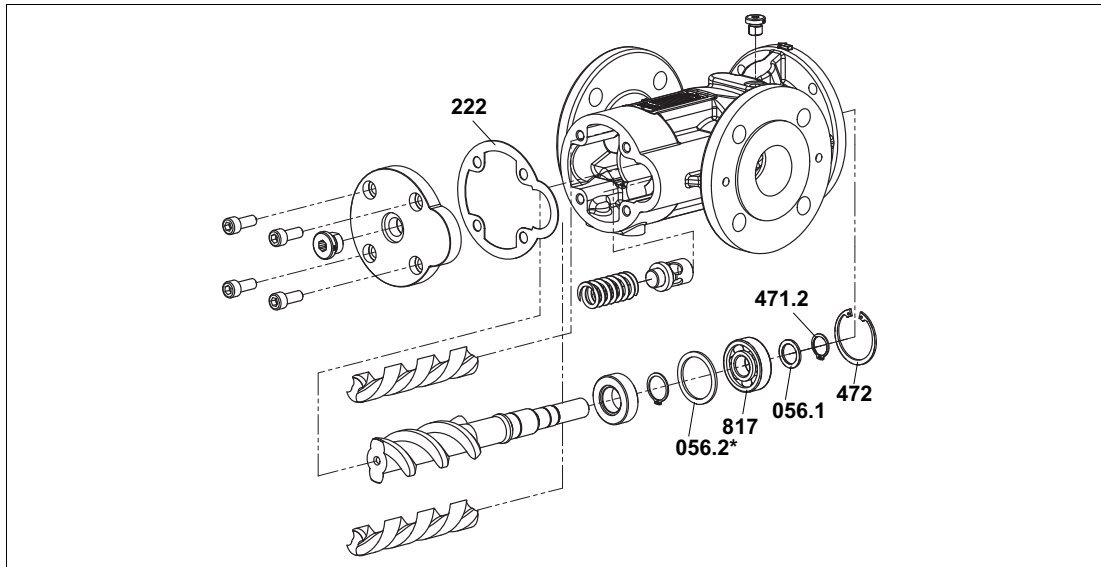


Maintenance kit magnetic coupling

ALP-0100 – 0280



Notice: Only the numbered parts are included in the maintenance kit. Before installation read and observe the operating instructions of the pump/station.

Qty.	Pos. no.	Part
1	040	Distance sleeve
1	056.1	Supporting ring
1	056.2*	Supporting ring
1	222	Flat gasket
1	471.2	Circlip
1	472	Circlip
1	739.2	O-ring
1	817	Ball bearing
4	914.6	Socket screw (old design ALP-____-D)
4**	914.6	Socket screw (new design ALP-____-M)
1		Disassembly tool
	*	Only for ALP-0100 – 0115: 2 pcs.

Maintenance kit magnetic coupling

Qty.	Pos. no.	Part
	**	Only for ALP-0165 – 0280