



KRAL OMS Series

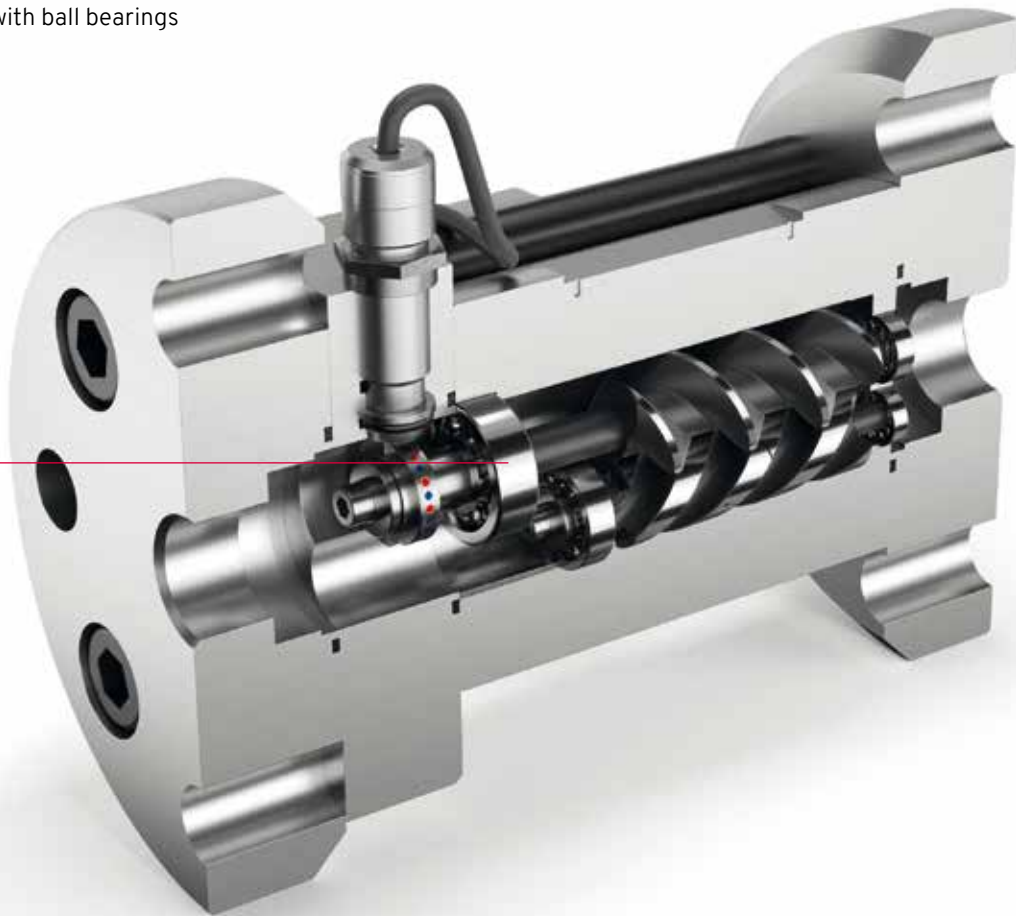
Stainless steel design for low and high viscosity media



OMS Series

Stainless steel design for demanding media

- **For low viscosity media**
Design with ball bearings



Your benefits

- High precision
- Extremely robust
- Stabilization zones unnecessary
- Low friction and minimal loss of pressure
- Very compact design

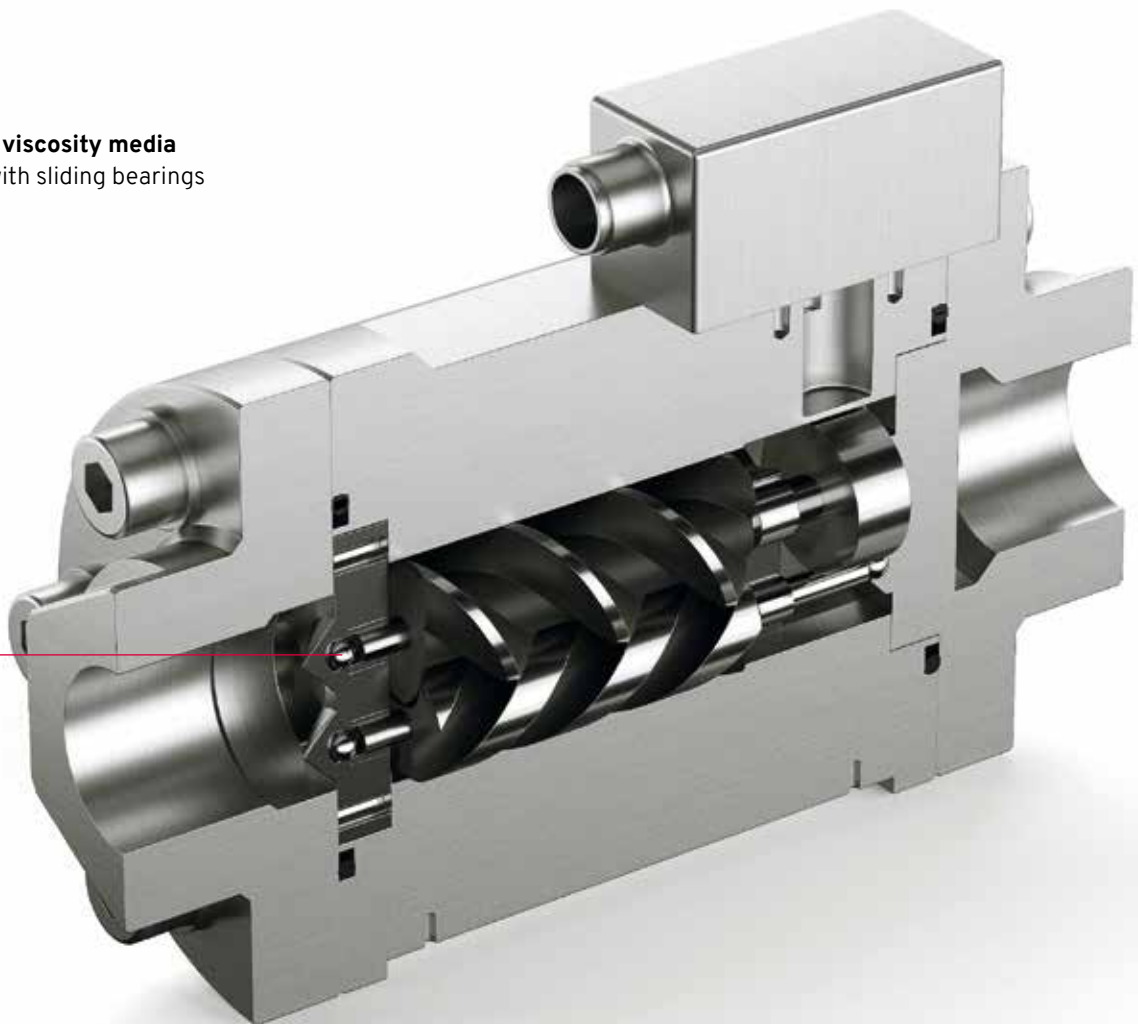
Application examples

- Dosing of resin, paints, adhesives
- Coating of propellers in wind power turbines
- Insulating materials
- Greases and waxes
- Water volumetric flow measurements

Materials

- Housing: Stainless steel
- Screws: Stainless steel
(coated for high viscosity media)
- Bearings: Ball or sliding bearings
- Gasket with ball bearings: Viton®
Gasket with sliding bearings: Teflon®

- **For high viscosity media**
Design with sliding bearings



Technical data		Low viscosity media			High viscosity media
		OMS-020	OMS-032	OMS-052	OMS-020
Nominal diameter	DN [inch]	¾	1	1½	¾
Flow rate l/min	Q _{max}	45	150	525	-
	Q _{nenn}	30	100	350	10
	Q _{min}	0.6 *	2.0 *	7.0 *	0.04
Max. pressure	[bar]	185	185	120	400
Temperature	[°C]	-20 to +150	-20 to +150	-20 to +150	-20 to +80
Viscosity	[mm ² /s]	1 to 10 ²	1 to 10 ²	1 to 10 ²	10 ² to 10 ⁶
Precision	of measurement value	±0.1% *	±0.1% *	±0.1% *	±0.5%
K-factor	[P/l]	1,280	468	142	66,000
Frequency	at Q _{nenn} [Hz]	640	780	828	11,000

* Information in the case of non-lubricating media on request.



Headquarters

KRAL AG

Bildgasse 40, Industrie Nord
6890 Lustenau, Austria
e-mail: kral@kral.at
Tel.: +43/5577/86644-0

Subsidiaries

KRAL Deutschland GmbH

Competence Center Stadthagen

KRAL Polska Sp. z o.o.

40-668 Katowice

Sister Company

KRAL-USA, Inc.

901A Matthews-Mint Hill Road
28105 Matthews, NC
e-mail: sales@kral-usa.com
Tel.: +1/704/8146164